

SPX Corporation
5885 11th Street
Rockford, IL 61109-3699 USA

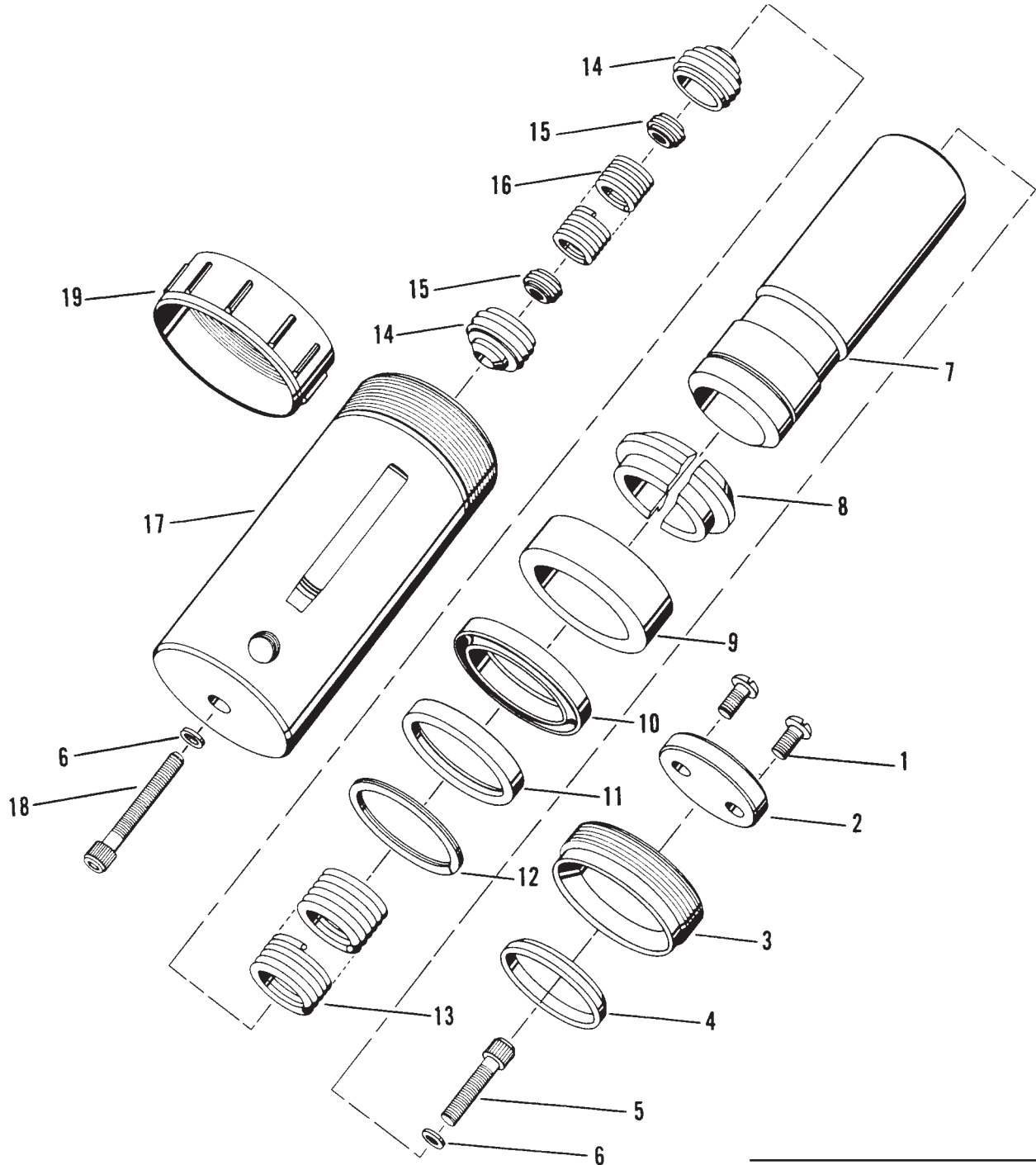
Internet Address:
<http://www.powerteam.com>
Tech. Services: (800) 477-8326
Fax: (800) 765-8326
Order Entry: (800) 541-1418
Fax: (800) 288-7031

SPX Corporation
655 Eisenhower Drive
Owatonna, MN 55060-0995 USA
Phone: (507) 455-7000
Tech. Services: (800) 533-6127
Fax: (800) 955-8329
Order Entry: (507) 455-1480
Fax: (800) 283-8665
International Sales: (507) 455-7223
Fax: (507) 455-7746

Parts List for:

52434
C1002C
C1006C
C10010C

**SINGLE-ACTING, SPRING RETURN
HYDRAULIC CYLINDER**
Max. Capacity: 103.1 Tons At 10,000 PSI



Parts List, Form No. 100385, Back sheet 1 of 1

Item No.	Part No.	No. Req'd	Description
1	16112	2	Machine Screw (Torque to 50/60 in. lbs.)
2	36161	1	Front Plate
3	36136	1	Retainer Nut (Torque to 125/150 ft. lbs.)
4	*16113	1	Rod Wiper
	†205719	1	Rod Wiper
5	11531	1	Soc. Hd. Cap Screw (3/8-16 X 2" Lg.; Torque to 400/425 in. lbs.)
6	*†12042	2	Copper Washer
7	50833	1	Piston Rod (For C1006C)
	50832	1	Piston Rod (For C10010C & 52434)
	51250	1	Piston Rod (For C1002C)
8	36139	1 pr.	Keeper Ring
9	36135	1	Piston Head
10	*16122	1	U-cup Piston Seal
	†205707	1	U-cup
11	36137	1	Slip Retainer
12	*16111	1	Retaining Ring
13	201474	1	Extension spring - Large (See diagram below; For C1006C)
	201476	1	Extension Spring - Large (See diagram below; For C10010C & 52434)
	204432	1	Extension Spring - Large (See diagram below; For C1002C)
14	36084	2	Spring Retainer (See diagram below)
15	201417	2	Spring Retainer (See diagram below)

Item No.	Part No.	No. Req'd	Description
16	201475	1	Extension Spring - Small (See diagram below; For C1006C)
	201477	1	Extension Spring - Small (See diagram below; For C10010C & 52434)
	204433	1	Extension spring - Small (See diagram below; For C1002C)
17	50830	1	Cylinder Body (For C1006C)
	50831	1	Cylinder Body (For C10010C & 52434)
	51251	1	Cylinder Body (For C1002C)
18	16110	1	Soc. Hd. Cap Screw (3/8-16 X 3-1/3 Lg.; Torque to 400/425 in. lbs)
19	42194	1	Thread Protector - Plastic (All except 52434)

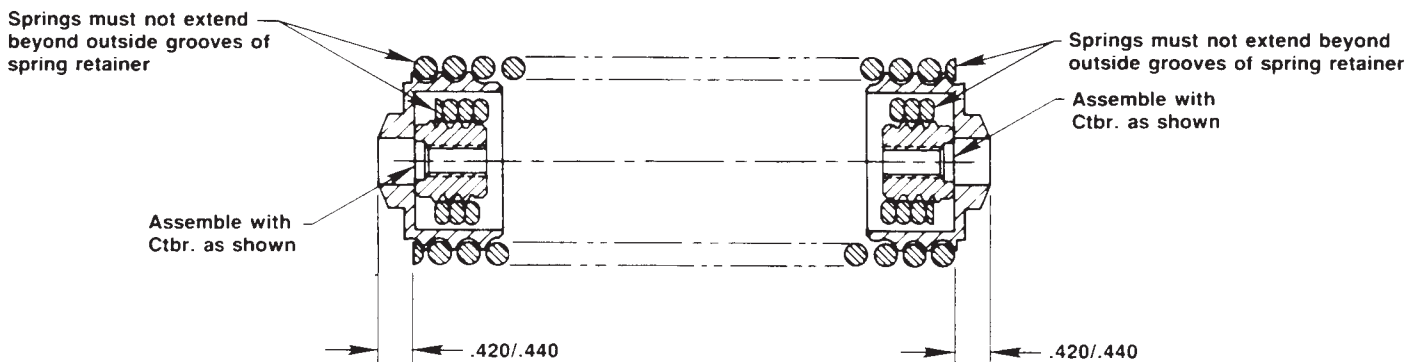
PARTS INCLUDED BUT NOT SHOWN

*37782	1	Warning Decal
16264	1	Trade Name Decal (For C1006C)
16265	1	Trade Name Decal (For C10010C)
18884	1	Trade Name Decal (For C1002C)
9796	1	Ram Half Coupler w/Dust Cap (All except 52434)
10648	1	45° Elbow Fitting (For 52434)
†206558	1	U-cup Backup Washer
†19526	1	O-ring (1" X 3/4 X 1/8, -210; for coupler)
†205724	1	Decal (Viton)

Part numbers marked with an asterisk (*) are contained in Standard Repair Kit No. 300112.

Part numbers marked with a dagger (†) are contained in Viton Seal Kit No. 300216.

SPRING & RETAINER ASSEMBLY



Refer to any operating instructions included with this product for detailed information about operation, testing, disassembly, reassembly, and preventive maintenance.

Items found in this parts list have been carefully tested and selected. **Therefore: Use only genuine replacement parts!**

Additional questions can be directed to our Technical Services Department.